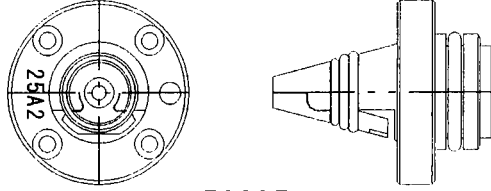
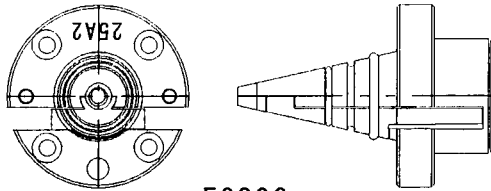
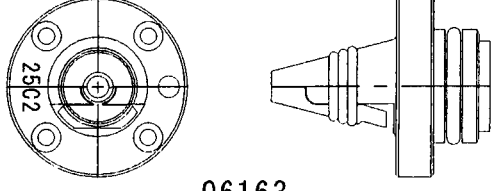
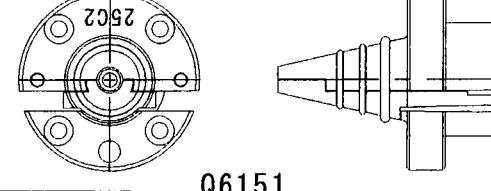
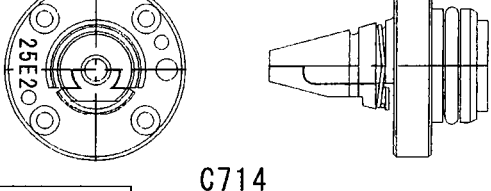
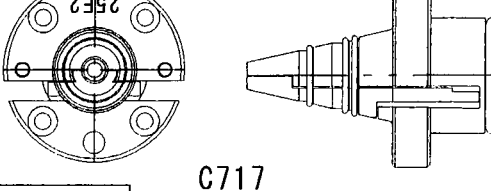
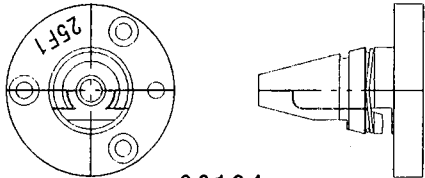
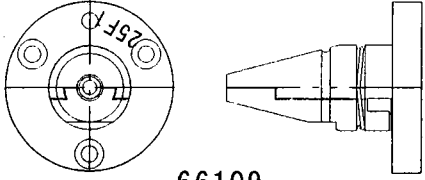




HITACHI				<<unit in mm>>	
Description	Sketch	Machine Model No.	Hole Size	Wire Size	
RHI-1U		H-Cut Series 304N, P, S 406N, P, S 508 P, S	0.105 $\begin{smallmatrix} +0.005 \\ 0 \\ 0 \end{smallmatrix}$	0.1	
			0.155 $\begin{smallmatrix} +0.005 \\ 0 \\ 0 \end{smallmatrix}$	0.15	
			0.205 $\begin{smallmatrix} +0.005 \\ 0 \\ 0 \end{smallmatrix}$	0.2	
			0.255 $\begin{smallmatrix} +0.005 \\ 0 \\ 0 \end{smallmatrix}$	0.25	
			0.27 $\begin{smallmatrix} +0.005 \\ 0 \\ 0 \end{smallmatrix}$	0.25	
			0.305 $\begin{smallmatrix} +0.005 \\ 0 \\ 0 \end{smallmatrix}$	0.3	
			0.355 $\begin{smallmatrix} +0.005 \\ 0 \\ 0 \end{smallmatrix}$	0.35	
	Upper	035	68X3. C00013		
RHI-2L		H-Cut Series 304N, P, S 406N, P, S 508 P, S	0.105 $\begin{smallmatrix} +0.005 \\ 0 \\ 0 \end{smallmatrix}$	0.1	
			0.155 $\begin{smallmatrix} +0.005 \\ 0 \\ 0 \end{smallmatrix}$	0.15	
			0.205 $\begin{smallmatrix} +0.005 \\ 0 \\ 0 \end{smallmatrix}$	0.2	
			0.255 $\begin{smallmatrix} +0.005 \\ 0 \\ 0 \end{smallmatrix}$	0.25	
			0.27 $\begin{smallmatrix} +0.005 \\ 0 \\ 0 \end{smallmatrix}$	0.25	
			0.305 $\begin{smallmatrix} +0.005 \\ 0 \\ 0 \end{smallmatrix}$	0.3	
			0.355 $\begin{smallmatrix} +0.005 \\ 0 \\ 0 \end{smallmatrix}$	0.35	
	Lower	036	68X3. C00013		
RHI-3C		H-Cut Series 304	0.055 $\begin{smallmatrix} +0.005 \\ 0 \\ 0 \end{smallmatrix}$	0.05	
			0.105 $\begin{smallmatrix} +0.005 \\ 0 \\ 0 \end{smallmatrix}$	0.1	
			0.155 $\begin{smallmatrix} +0.005 \\ 0 \\ 0 \end{smallmatrix}$	0.15	
			0.205 $\begin{smallmatrix} +0.005 \\ 0 \\ 0 \end{smallmatrix}$	0.2	
			0.255 $\begin{smallmatrix} +0.005 \\ 0 \\ 0 \end{smallmatrix}$	0.25	
			0.305 $\begin{smallmatrix} +0.005 \\ 0 \\ 0 \end{smallmatrix}$	0.3	
	Common	078	68M3. 117549		
RHI-13U		H-Cut Series 254R 355R	0.205 $\begin{smallmatrix} +0.003 \\ 0 \\ 0 \end{smallmatrix}$	0.2	
			0.255 $\begin{smallmatrix} +0.003 \\ 0 \\ 0 \end{smallmatrix}$	0.25	
			0.305 $\begin{smallmatrix} +0.003 \\ 0 \\ 0 \end{smallmatrix}$	0.3	
			0.355 $\begin{smallmatrix} +0.003 \\ 0 \\ 0 \end{smallmatrix}$	0.35	
	Upper	164	68M3. 145405-A		
RHI-14L		H-Cut Series 254R 355R	0.205 $\begin{smallmatrix} +0.003 \\ 0 \\ 0 \end{smallmatrix}$	0.2	
			0.255 $\begin{smallmatrix} +0.003 \\ 0 \\ 0 \end{smallmatrix}$	0.25	
			0.305 $\begin{smallmatrix} +0.003 \\ 0 \\ 0 \end{smallmatrix}$	0.3	
			0.355 $\begin{smallmatrix} +0.003 \\ 0 \\ 0 \end{smallmatrix}$	0.35	
	Lower	165	68M3. 145491		

Description	Sketch	Machine Model No.	Wire Size						
RHI-5U	 <p style="text-align: center;">E8305</p> <table border="1" style="margin-left: auto; margin-right: auto;"> <tr> <td style="padding: 2px;">A2 type</td> <td colspan="2"></td> </tr> <tr> <td style="padding: 2px;">Upper</td> <td style="padding: 2px;">001</td> <td style="padding: 2px;">003</td> </tr> </table>	A2 type			Upper	001	003	H-Cut Series 304N, P, S 406N, P, S 508 P, S 203M 203M/Q	0.1 0.15 0.2 0.25 0.3
A2 type									
Upper	001	003							
RHI-6L	 <p style="text-align: center;">E8309</p> <table border="1" style="margin-left: auto; margin-right: auto;"> <tr> <td style="padding: 2px;">A2 type</td> <td colspan="2"></td> </tr> <tr> <td style="padding: 2px;">Lower</td> <td style="padding: 2px;">002</td> <td style="padding: 2px;">004</td> </tr> </table>	A2 type			Lower	002	004	H-Cut Series 304N, P, S 406N, P, S 508 P, S 203M 203M/Q	0.1 0.15 0.2 0.25 0.3
A2 type									
Lower	002	004							
RHI-7U	 <p style="text-align: center;">Q6163</p> <table border="1" style="margin-left: auto; margin-right: auto;"> <tr> <td style="padding: 2px;">C2 type</td> <td colspan="2"></td> </tr> <tr> <td style="padding: 2px;">Upper</td> <td style="padding: 2px;">005</td> <td style="padding: 2px;">007</td> </tr> </table>	C2 type			Upper	005	007	H-Cut Series 2Q, 3Q, 4Q 5Q, 6Q, 8Q 203M20 203M30 203R	0.1 0.15 0.2 0.25 0.3
C2 type									
Upper	005	007							
RHI-8L	 <p style="text-align: center;">Q6151</p> <table border="1" style="margin-left: auto; margin-right: auto;"> <tr> <td style="padding: 2px;">C2 type</td> <td colspan="2"></td> </tr> <tr> <td style="padding: 2px;">Lower</td> <td style="padding: 2px;">006</td> <td style="padding: 2px;">008</td> </tr> </table>	C2 type			Lower	006	008	H-Cut Series 2Q, 3Q, 4Q 5Q, 6Q, 8Q 203M20 203M30 203R	0.1 0.15 0.2 0.25 0.3
C2 type									
Lower	006	008							
RHI-9U	 <p style="text-align: center;">C714</p> <table border="1" style="margin-left: auto; margin-right: auto;"> <tr> <td style="padding: 2px;">E2 type</td> <td colspan="2"></td> </tr> <tr> <td style="padding: 2px;">Upper</td> <td style="padding: 2px;">009</td> <td style="padding: 2px;">011</td> </tr> </table>	E2 type			Upper	009	011	H-Cut Series 2Q, 3Q, 4Q 5Q, 6Q, 8Q 203M20 203M30 203R	0.1 0.15 0.2 0.25 0.3
E2 type									
Upper	009	011							
RHI-10L	 <p style="text-align: center;">C717</p> <table border="1" style="margin-left: auto; margin-right: auto;"> <tr> <td style="padding: 2px;">E2 type</td> <td colspan="2"></td> </tr> <tr> <td style="padding: 2px;">Lower</td> <td style="padding: 2px;">010</td> <td style="padding: 2px;">012</td> </tr> </table>	E2 type			Lower	010	012	H-Cut Series 2Q, 3Q, 4Q 5Q, 6Q, 8Q 203M20 203M30 203R	0.1 0.15 0.2 0.25 0.3
E2 type									
Lower	010	012							

Description	S k e t c h	Machine Model No.	Wire Size						
RHI-11U	 <p data-bbox="574 359 667 390">66104</p> <table border="1" data-bbox="298 394 678 472"> <tr> <td data-bbox="298 394 526 432">F1 type</td> <td colspan="2"></td> </tr> <tr> <td data-bbox="298 432 526 472">Upper</td> <td data-bbox="526 432 597 472">013</td> <td data-bbox="597 432 678 472">015</td> </tr> </table>	F1 type			Upper	013	015	H-Cut Series 203R 203F2 254R 355R	0.1 0.15 0.2 0.25 0.3
	F1 type								
	Upper	013	015						
RHI-12L	 <p data-bbox="574 667 667 699">66109</p> <table border="1" data-bbox="298 703 678 774"> <tr> <td data-bbox="298 703 526 741">F1 type</td> <td colspan="2"></td> </tr> <tr> <td data-bbox="298 741 526 774">Lower</td> <td data-bbox="526 741 597 774">014</td> <td data-bbox="597 741 678 774">016</td> </tr> </table>	F1 type			Lower	014	016	H-Cut Series 203R 203F2 254R 355R	0.1 0.15 0.2 0.25 0.3
	F1 type								
	Lower	014	016						